

PUCK SEAT

enea

BY Estudi Manel Molina



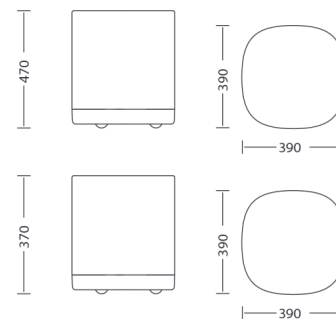
Structures

- Injected aluminium base L-2630 UNE 38-263.
- Inside upholstered in polyurethane, exterior in polyester.

Certificates

UNE-EN 16139:2013 (Level L2, extreme use).
Ecodesign Product in accordance to UNE-EN ISO 14006.

Measures



Accessories

- Locking castors
- Castors

A cheerful looking seat that comes in 2 heights and a variety of options, though all maintain the aluminium base that avoids footmarks on the upholstered surface. It can come on wheels making it extremely agile and mobile, with self-braking castors and also without wheels. Its friendly nature means it can be used in both home and professional environments.

[Click here to see all the finishes of Puck seat](#)